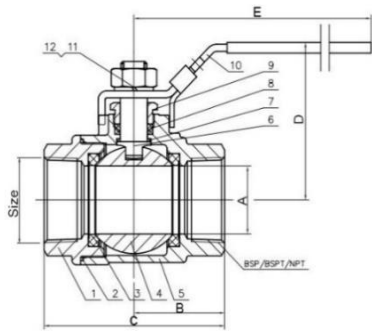


316 Stainless Steel Ball Valves with Locking Handle



2000 PSI CWP 150 WSP Service Up to 1"
1500 PSI CWP 150 WSP Service Up to 1-1/4"-2"
Suitable for Vacuum Service Up to 29.9"Hg
Full Port
Temperature Range: -60°F to 450°F
2-Piece 316 Stainless Steel Construction
Includes Mounting Pad;
10-24 UNC Thread (1/4" - 1")
1/4" - 20 UNC Thread (1-1/4" - 2")
Blow Out Proof Stem
316 Stainless Steel Ball and Stem
RPTFE Seat and Packing Gland
304 Stainless Steel Lockable Handle w/Vinyl Grip
For Use With 9/32 Lock (Lock Not Included)
FPT Connection
ISO Registered
MSS SP-110
RoHS Compliant

Part No.	Size	A (In)	B (In)	C (In)	D (In)	E (In)	F (In)	Cv	Wt. (lbs.)	Carton Qty
SSV-25	1/4"	0.41	1.08	2.15	1.89	3.94	1.12	8.23	0.41	80
SSV-38	3/8"	0.49	1.08	2.15	1.89	3.94	1.12	8.23	0.48	80
SSV-50	1/2"	0.59	1.25	2.50	2.28	4.33	1.14	18.55	0.78	48
SSV-75	3/4"	0.77	1.44	2.87	2.46	4.72	1.38	29.76	1.32	30
SSV-100	1"	0.98	1.70	3.40	2.90	5.81	1.38	51.55	1.98	20
SSV-125	1-1/4"	1.26	2.00	4.00	3.11	5.81	1.50	84.42	2.87	14
SSV-150	1-1/2"	1.50	2.13	4.25	3.70	7.09	1.50	131.93	2.98	8
SSV-200	2"	1.95	2.43	4.85	4.13	7.09	1.50	200.34	7.50	6

Weights Are ± 3%

Part No.	Description	Material
1	Bonnet	S.S.316
2	Joint Gasket	RPTFE
3	Seat	RPTFE
4	Ball	S.S.316
5	Body	S.S.316
6	Stem	S.S.316
7	Thrust Washer	RPTFE
8	Packing	RPTFE
9	Gland	S.S.304
10	Handle	S.S.304 with PVC Grip
11	Spring Washer	S.S.304
12	Nut	A2-70

Drawing Date: 5/2009
Rev. Level-Date: R4 8/2020



WARNING: This product can expose you to chemicals, including Hexavalent Chromium, which is known to the State of California to cause cancer and reproductive harm. For more information go to www.P65Warnings.CA.gov